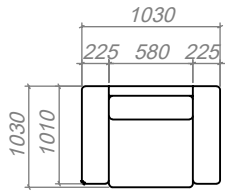
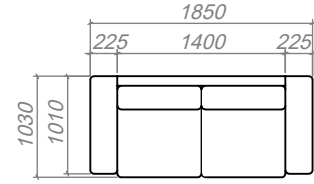


ARUBA

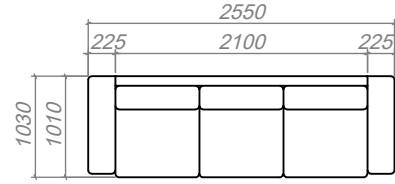
1S



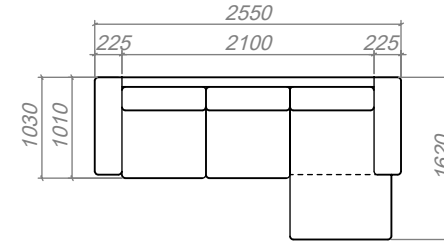
2S



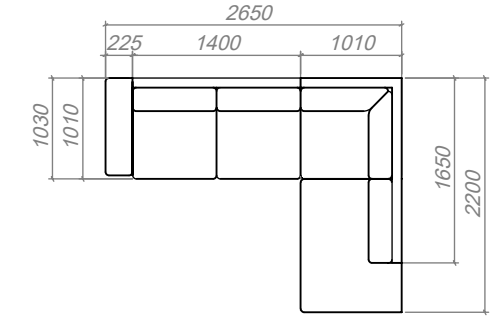
3S



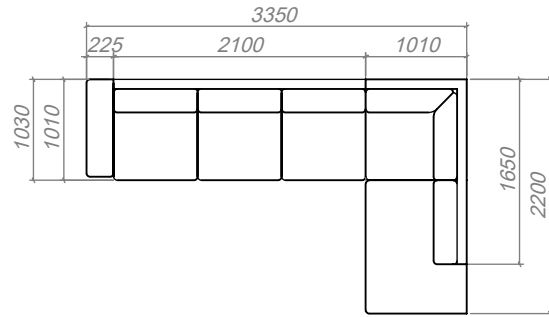
2D/D2



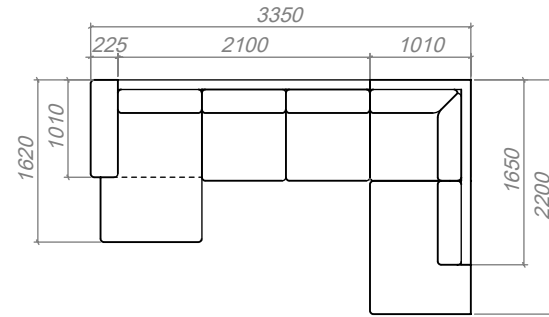
2A/A2



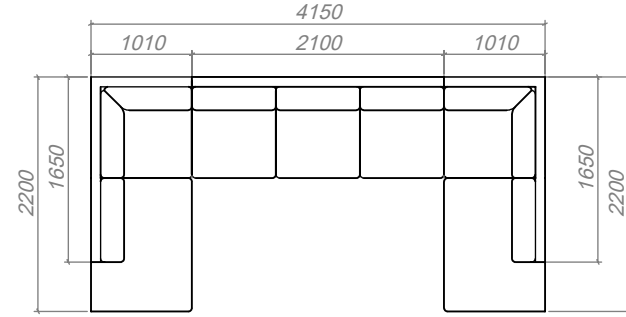
3A/A3



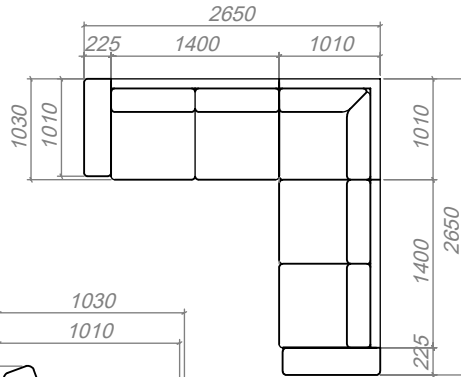
D3A/A3D



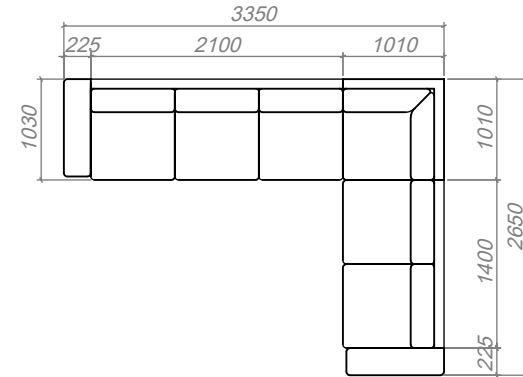
A3A



2C2



3C2/2C3



D3C2/2C3D

