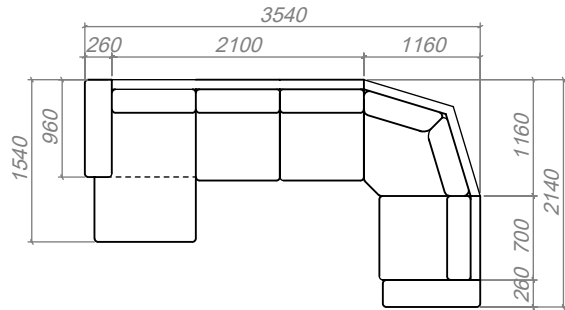
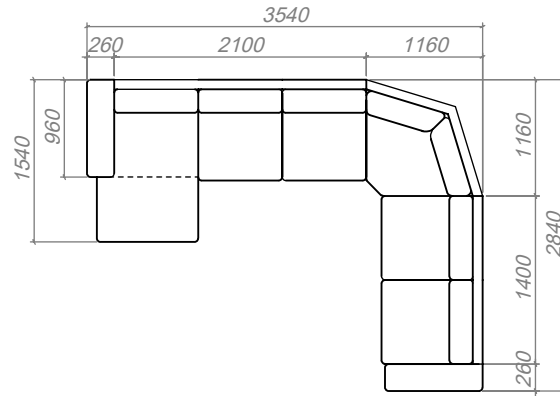


CHILLI / EMPIRE 2/2

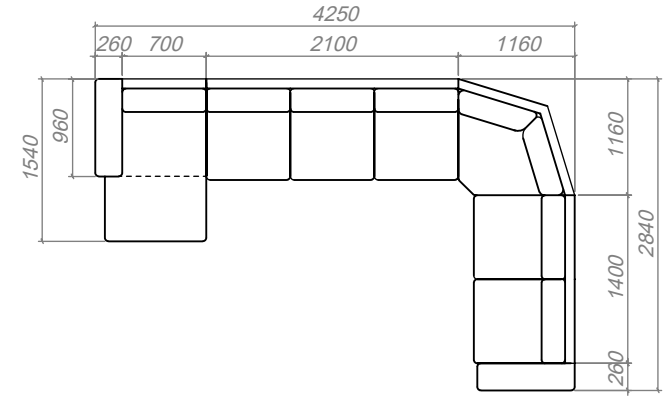
D3C1/1C3D



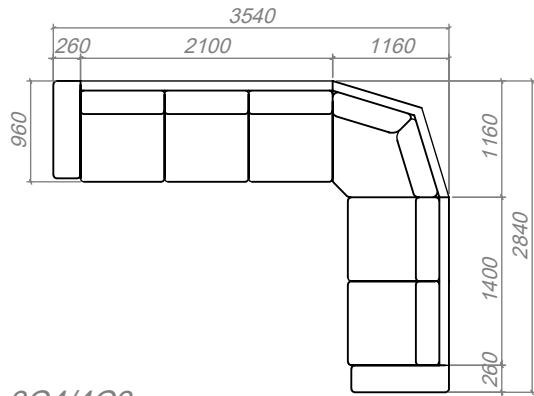
D3C2/2C3D



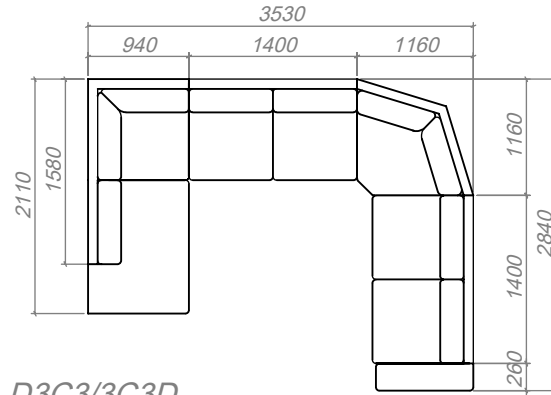
D1+3C2/2C3+1D



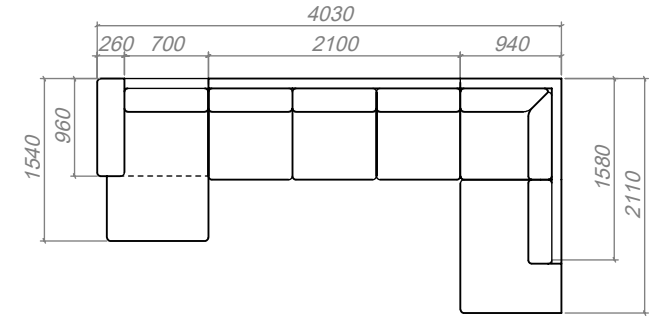
3C2/2C3



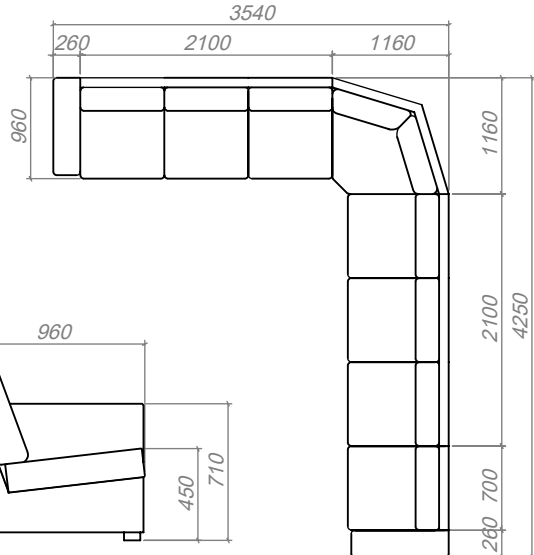
A2C2/2C2A



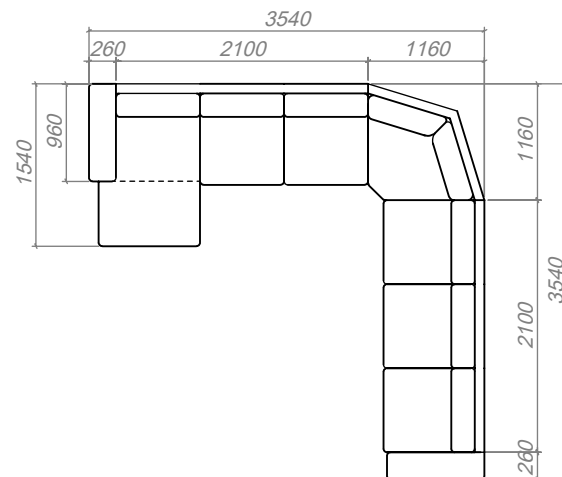
D1+3A/A3+1D



3C4/4C3



D3C3/3C3D



A3C3/3C3A

