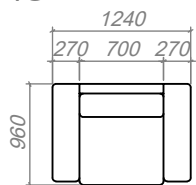
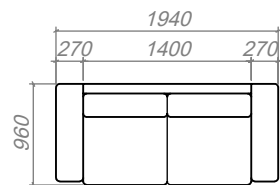


EMMA / FELICIA

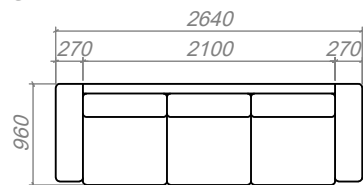
1S



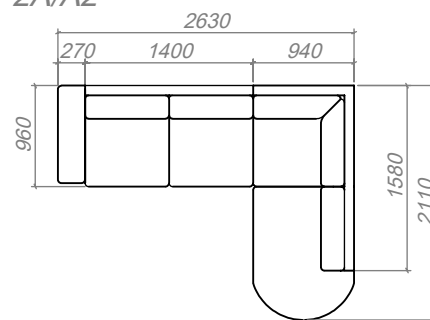
2S



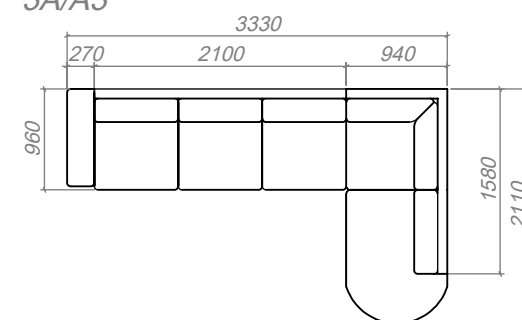
3S



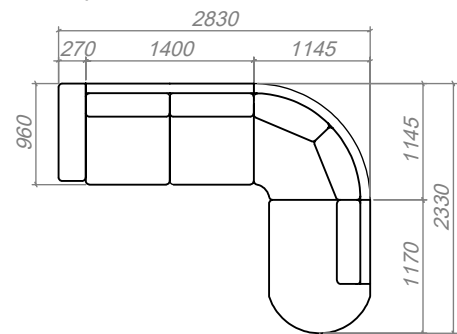
2A/A2



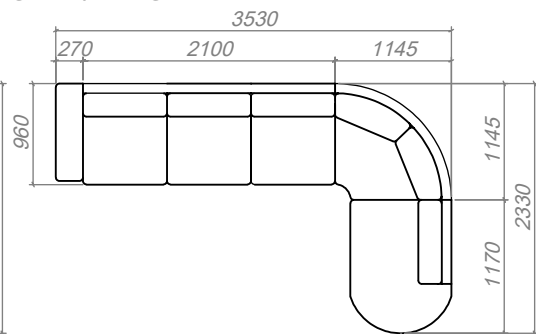
3A/A3



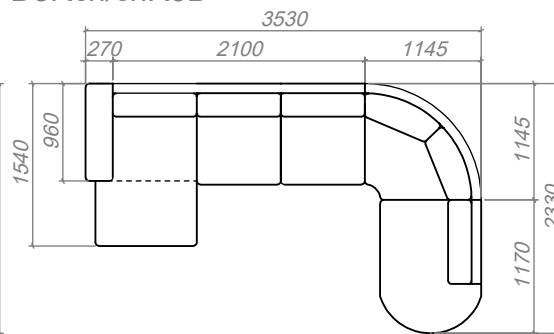
2Rch/chR2



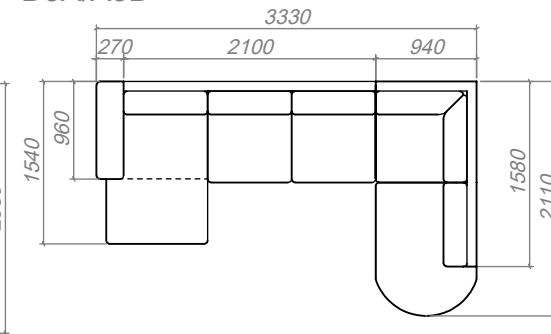
3Rch/chR3



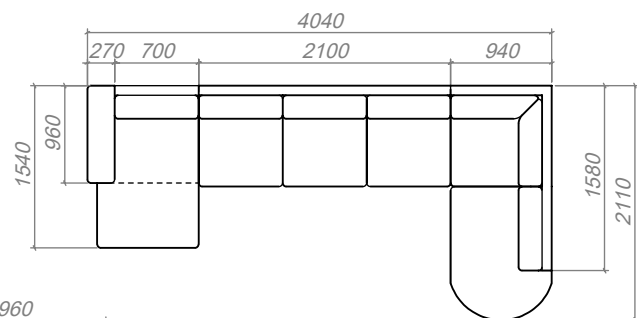
D3Rch/chR3D



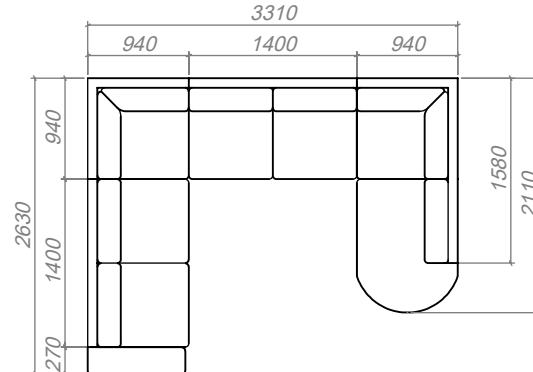
D3A/A3D



D1+3A/A3+1D



2C2A/A2C2



A3A

